

# Pop-up stand

# S-TUBE SX-500

---

**Canvas size: 4990 x 2250 mm**

Artwork should be presented at a scale of 1:2

## Template guidelines:

- » Keep important details not too close to edges
- » Do not add bleed or crop marks
- » CMYK (ISO Coated v2)
- » 200 dpi at minimum is recommended (artwork scaled to 50%)
- » PDF (PDF/X-1a)
- » TIFF (LZW compression is recommended)
- » Rich black: C 50 M 40 Y 40 K 100
- » Please do not use Overprint

## File transfer options:

### WeTransfer:

<https://comdecor.wetransfer.com/>

### E-mail:

[myyk@esitlutarvikud.ee](mailto:myyk@esitlutarvikud.ee) (max 7 MB)

### FTP:

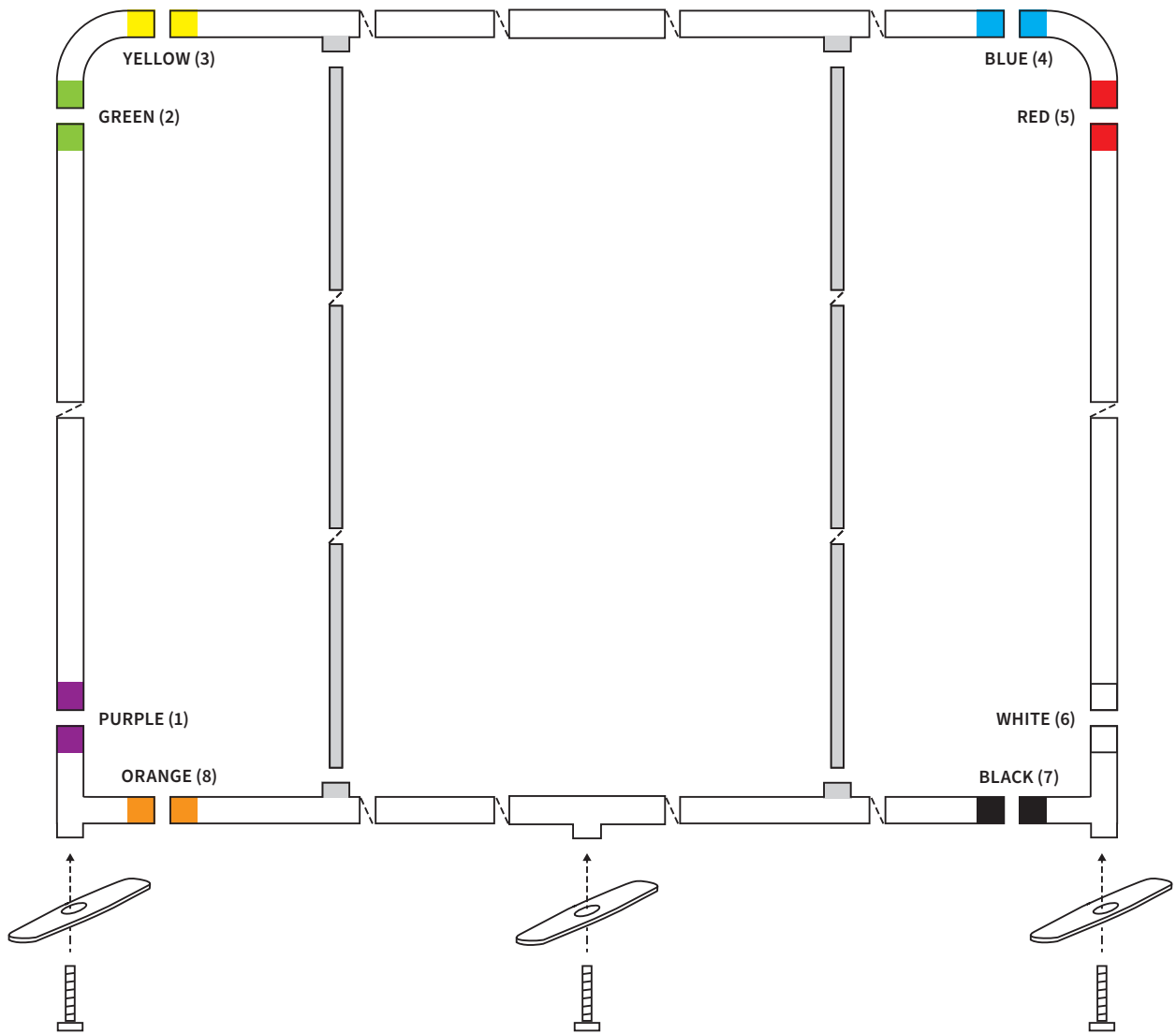
Please ask for FTP credentials  
[myyk@esitlutarvikud.ee](mailto:myyk@esitlutarvikud.ee)

The logo for COM DECOR, featuring the word 'COM' in a smaller, bold, teal font above the word 'DECOR' in a larger, bold, teal font. The letters are blocky and sans-serif.


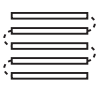





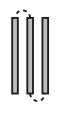

<https://esitlutarvikud.ee/>

# MANUAL SX-500

SHAPE STRAIGHT



## PARTS LIST

	2x	TOP CORNER		2x	TUBE HORIZONTAL (∅ 34mm)
	2x	BOTTOM CORNER			
	3x	FOOT		2x	TUBE VERTICAL (∅ 34mm)
	1x	SCREW ( M6 ) FOOT MIDDLE			
	2x	SCREW ( M8 )		2x	TUBE SUPPORT (∅ 24mm)
	1x	HEXA-KEY ( M8 )			