

Pop-up stand

S-TUBE SX-300

Canvas size: 2990 x 2250 mm

Template guidelines:

- » Keep important details not too close to edges
- » Do not add bleed or crop marks
- » CMYK (ISO Coated v2)
- » 100 dpi at minimum is recommended
- » PDF (PDF/X-1a)
TIFF (LZW compression is recommended)
- » Rich black: C 50 M 40 Y 40 K 100
- » Please do not use Overprint

File transfer options:

WeTransfer:

<https://comdecor.wetransfer.com/>

E-mail:

myyk@esitlustarvikud.ee (max 7 MB)

FTP:

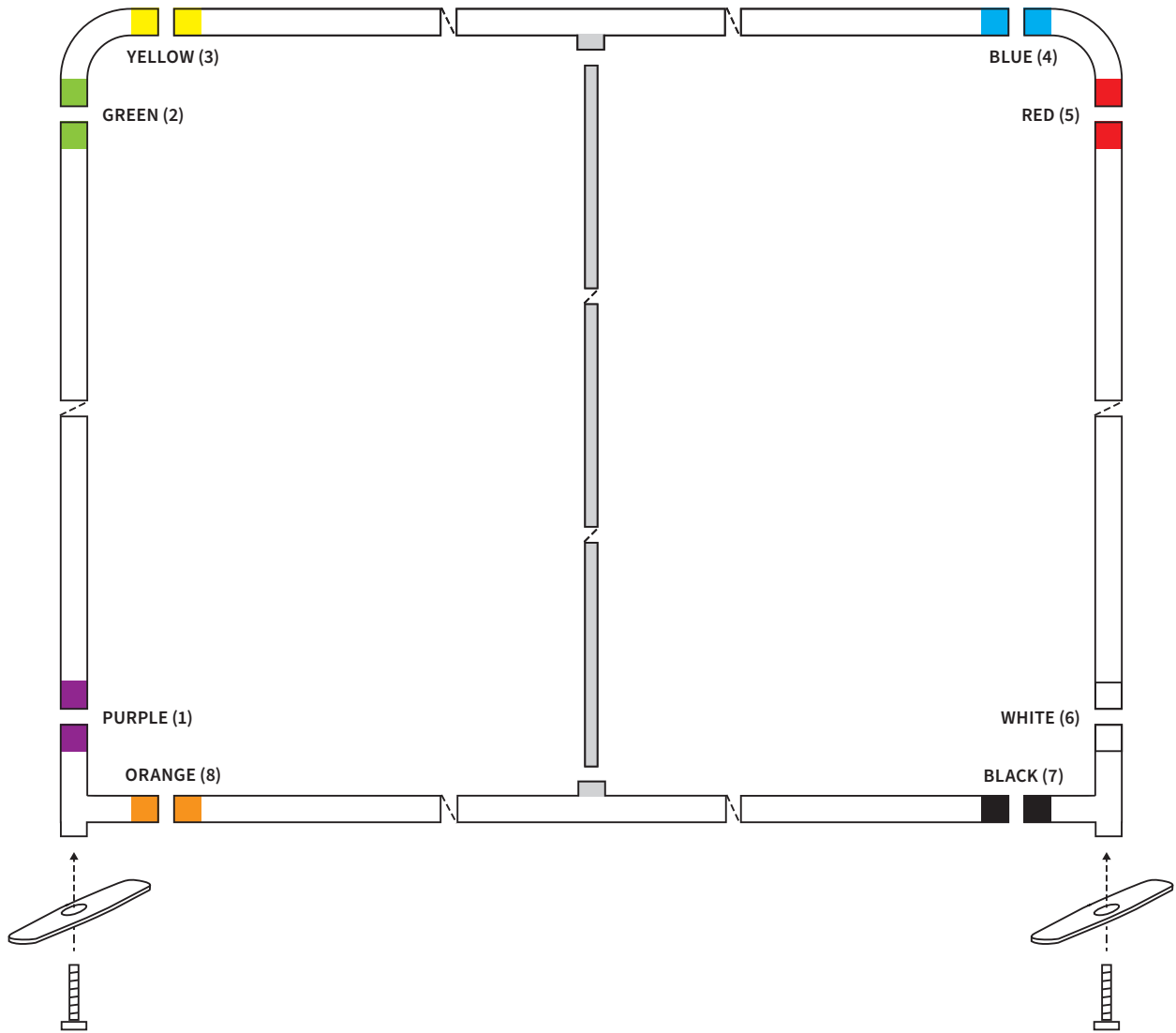
Please ask for FTP credentials
myyk@esitlustarvikud.ee

**COM
DECOR**


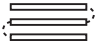






<https://esitlustarvikud.ee/>

MANUAL SX-300

SHAPE STRAIGHT



PARTS LIST

	2x	TOP CORNER		2x	TUBE HORIZONTAL (\varnothing 34mm)
	2x	BOTTOM CORNER		2x	TUBE VERTICAL (\varnothing 34mm)
	2x	FOOT			
	2x	SCREW (M8)		1x	TUBE SUPPORT (\varnothing 24mm)
	1x	HEXA-KEY (M8)			