

Pop-up stand

S-TUBE SX-250

Canvas size: 2490 x 2250 mm

Template guidelines:

- » Keep important details not too close to edges
- » Do not add bleed or crop marks
- » CMYK (ISO Coated v2)
- » 100 dpi at minimum is recommended
- » PDF (PDF/X-1a)
TIFF (LZW compression is recommended)
- » Rich black: C 50 M 40 Y 40 K 100
- » Please do not use Overprint

File transfer options:

WeTransfer:

<https://comdecor.wetransfer.com/>

E-mail:

myyk@esitlustarvikud.ee (max 7 MB)

FTP:

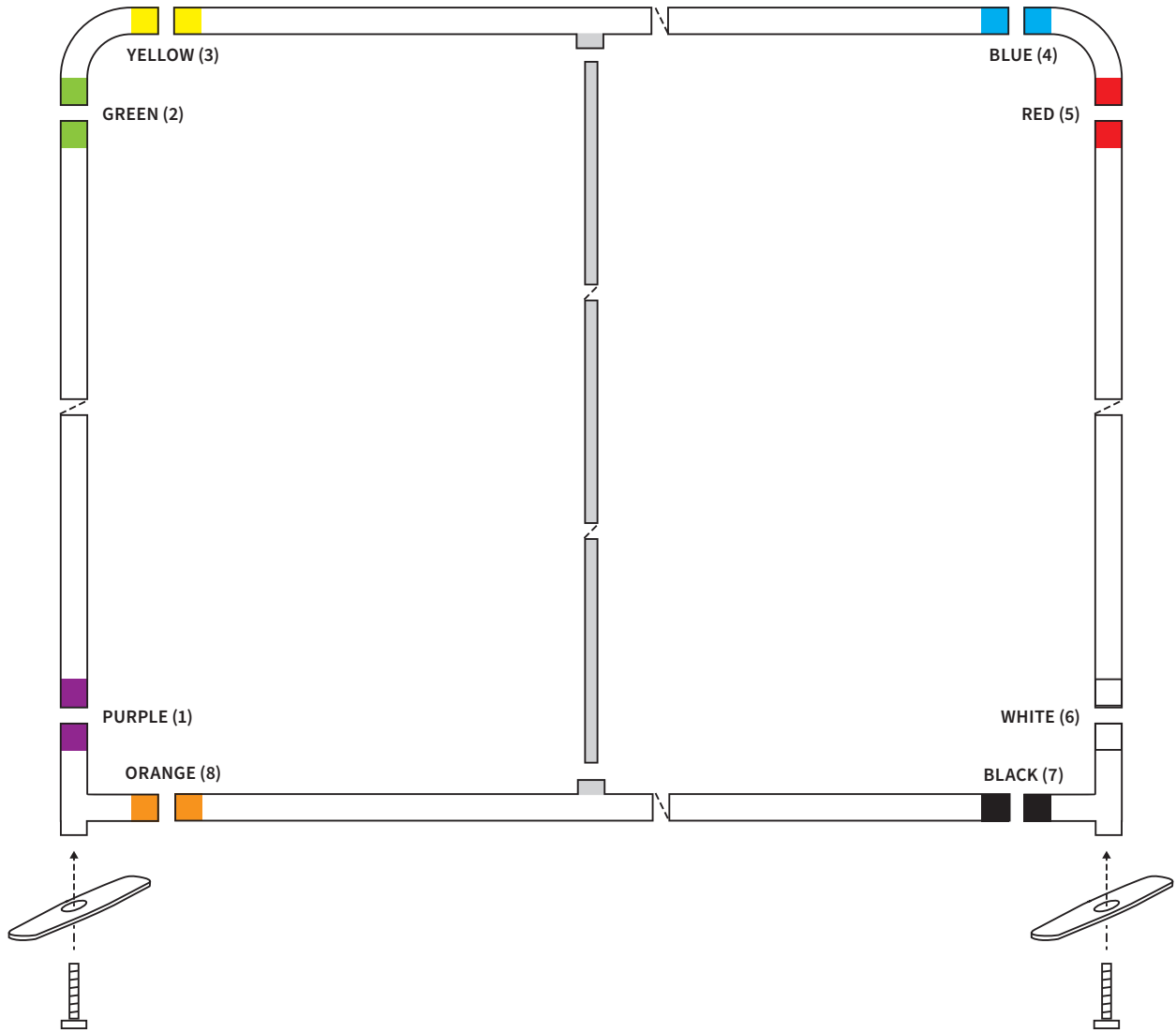
Please ask for FTP credentials
myyk@esitlustarvikud.ee

The logo for COM DECOR, featuring the word 'COM' in a smaller, bold, teal font above the word 'DECOR' in a larger, bold, teal font. The letters are blocky and have a slight shadow effect.







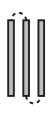

<https://esitlustarvikud.ee/>

MANUAL SX-250

SHAPE STRAIGHT



PARTS LIST

| | | | | | |
|---|----|-----------------|---|----|--|
|  | 2x | TOP CORNER |  | 2x | TUBE HORIZONTAL (\varnothing 34mm) |
|  | 2x | BOTTOM CORNER |  | 2x | TUBE VERTICAL (\varnothing 34mm) |
|  | 2x | FOOT | | | |
|  | 2x | SCREW (M8) |  | 1x | TUBE SUPPORT (\varnothing 24mm) |
|  | 1x | HEXA-KEY (M8) | | | |